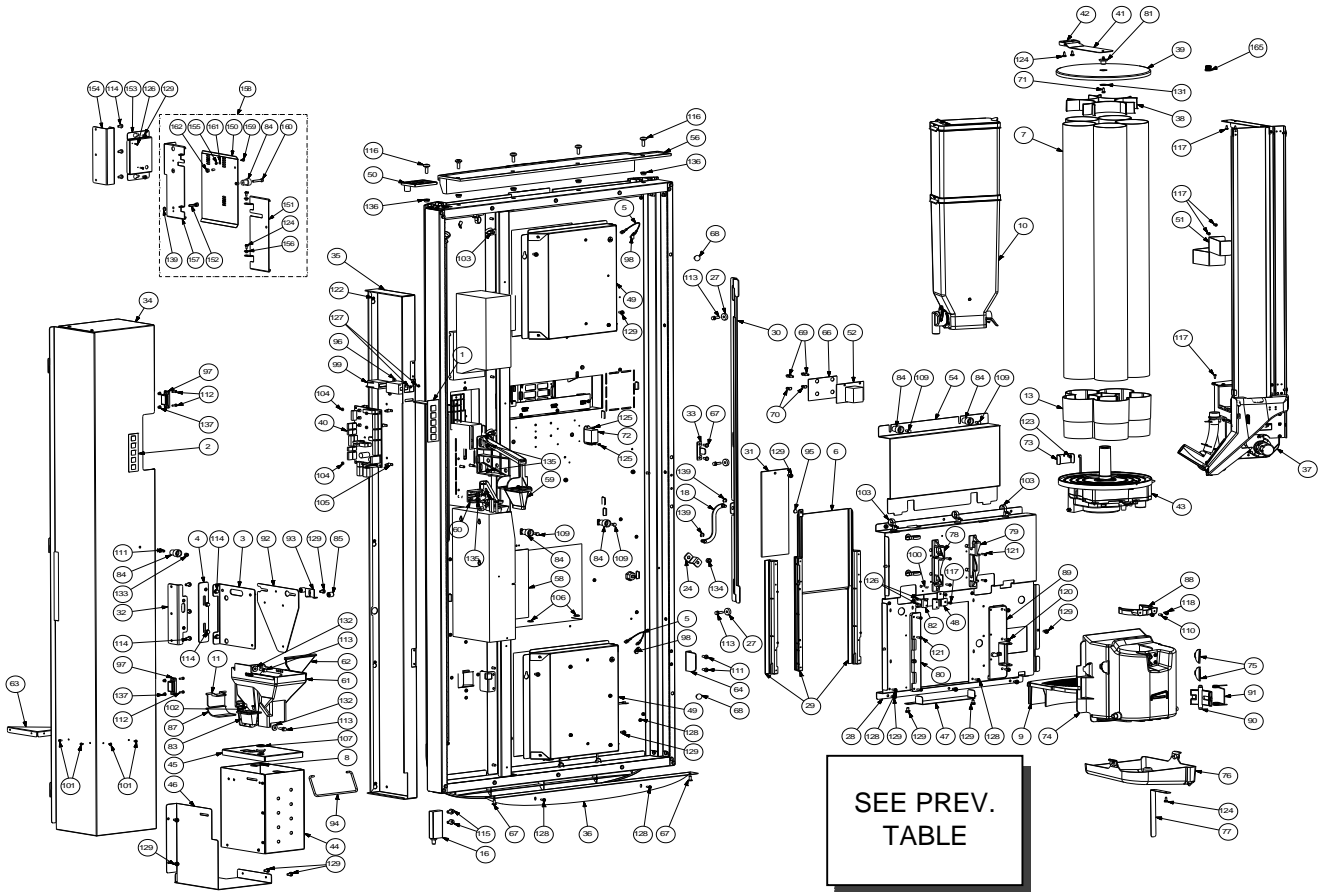


SEE NEXT
TABLE

Pos.	Code	Description	Note
1	0875.741	Touch Panel	
2	0875.990	Touch Panel Plate	
3	0894.093	Coin Box Support	Up toMatr: 900706P25827
4	0894.173	Ass.Plate Coin Box Regulation	Up toMatr: 900706P25827
5	0894.617	Connection Earth	
6	11000654	Cup Station's Door Grey	
7	11001422	Tube Pvc 80x1.5 L=705	
8	11001583	Lever For Lock	
9	11001836	Fs400 Standard Grill	
10	11005129	Assembly Sugar Container	Only Vers. Espresso
11	11006845	Door Conducting Coins Grey	
12	11007679	Door Ass. Rivet Black	
13	11008470	Glasses Basket 5 Column	
14	11008597	Front Plate Sg650	
15	11008598	Dispenser Frame Vain	
16	11008610	Lower Block Hinge Ass.	
17	11008613	Ass.Push Button Sg650	
18	11008615	Lever Ass. Lock	
19	11008622	Side Strip Aesthetic Silver	
20	11024252	Left Side Panel Sg650	
21	11024254	Right Side Panel Sg650	
22	11012634	Push Button Sg650 Silver	
23	11008639	Logo Saeco Glass Sg650	
24	11008640	Lever For Lock	
25	11008641	Lower Advertising Plate Sg650	
26	11008642	Upper Advertising Plate Sg650	
27	11008644	Lock Pin	
28	11010546	Glasses Support Black Sg650	
29	11008661	Door Guide Vain	
30	11008662	Rod For Lock Sg650	
31	11008663	Aesthetic Plate Sg650	
32	11008665	Plate For Support Coin Box	Up toMatr: 900706P25827
33	11008670	Bracket For Micro	
34	11008928	Payment Systems Cover Sg650	
35	11009121	Cover Support System Payment	
36	11009127	Plate Fixing	
37	11009170	Ass.Sugar/Spoons Dispender 24vdc Sg650	Only Vers. Espresso
37	11010382	Stirrer Dispenser Ass. Sg650 Instant	Only Vers. Instant
38	11009242	Cup Tube Fixing Spring	
39	11009310	Tank Lid Glasses	
40	11009638	Cpu+Sw As. Atlante650	Version 2M2C
40	11013381	Cpu+Sw As. Sg650 Instant	Version 1M2C
40	11010630	Cpu+Sw As. Sg650 1m2c	Version Instant
41	11009678	Basket Stop Plate Sg650	
42	11009680	Basket Stop Bracket Sg650	
43	11009681	Ass.Dispenser Glasses 5 Column	
44	11009683	Coin Case Ass.	

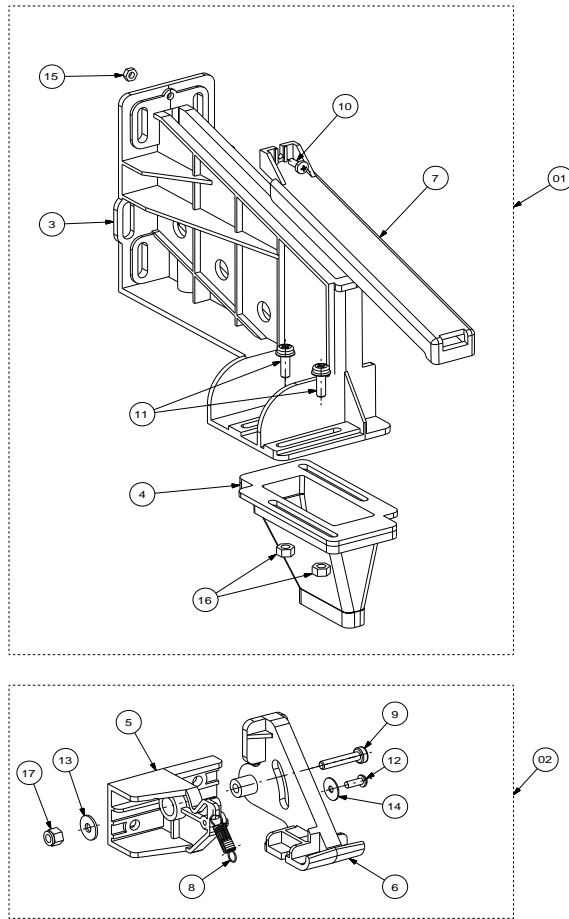
Pos.	Code	Description	Note
45	11009687	Cover Coin Box	
46	11009688	Support Coin Box	
47	11009689	Drip tray Partition	
48	11009693	Sensor Bracket Vain Sg650	
49	11009754	Advertising Lamp Ass.	
50	11010205	Adapter Upper Frame Silver	
51	11009957	Plate Stop Container Sugar Sg650	Only Vers. Espresso
52	11010015	Power Supply Board P124 230v	
53	11010020	Lower Strip Aesthetic No Paint	
54	11010041	Display Cover And Power Supply	
55	11010203	Upper Support Plate Sg650	
56	11010204	Upper Frame Sg650 Silver	
57	11010210	Upper Support Plate Sg650	
58	11011328	Led Diffuser For Cup	
59	11011613	Coin Chute Ass.	
60	11011615	Lever Ass. Coin Recovery	
61	11011661	Duct Coin Recovery	
62	11011662	Adjustable Plate	
63	11012506	Cover Reinforce For Payment Systems	
64	11012507	Movable Plate For Atlante Door	
65	11012611	Ass.Blank Protection Coin Channel Atlant	
66	11012747	Card Protection Led Atlante	
67	12000962	Multigrip Rivets 4.8x11 Tt Cod. 28925	
68	12001178	Protect 8,5x15x13 Mod. 30.21.001	
69	12001216	Spacer Richco Lcbs-3-01	
70	12001217	Spacer Richco Ps-3-01	
71	129824002	Tcb Screw M4x10 Uni 7687 Znp	
72	1484.605	Power Relay 12a	
73	1813.162	Bracket Stop Dispenser	
74	1863.012.050	Compartment Dispenser	
75	1863.013	Lens For Compartment Dispenser	
76	1863.023.050	Water Drip Tray	
77	1863.024	Stirrup For Compartment Dispenser	
78	1863.032.A20	Cup Distr. Support	
79	1863.033.A20	Cup Distr. Support	
80	1863.058	Left Support Disp.Comp. Black	
81	11010585	Central Pin For Cup Column	
82	1863.649	Reed For Door	
83	9111.174.050	Coin Hopper	
84	9111.307.270	Stirrer Plate Knob 8p	
85	9111.331	Knurled Female Hand Bolt M5	
86	9111.355	Spring For Change Button	Up toMatr: 900706P25827
87	9111.357.050	Coin Chute Bottom Black	
88	9111.368.050	Variable Cup Support Black	
89	9111.371.050	Right Support Disp. Comp. Black	
90	9111.372.050	Disp. Compart. Locking Lever Black	
91	9111.373	Spring For Disp. Comp. Retaining	

TABLE 02 / 35



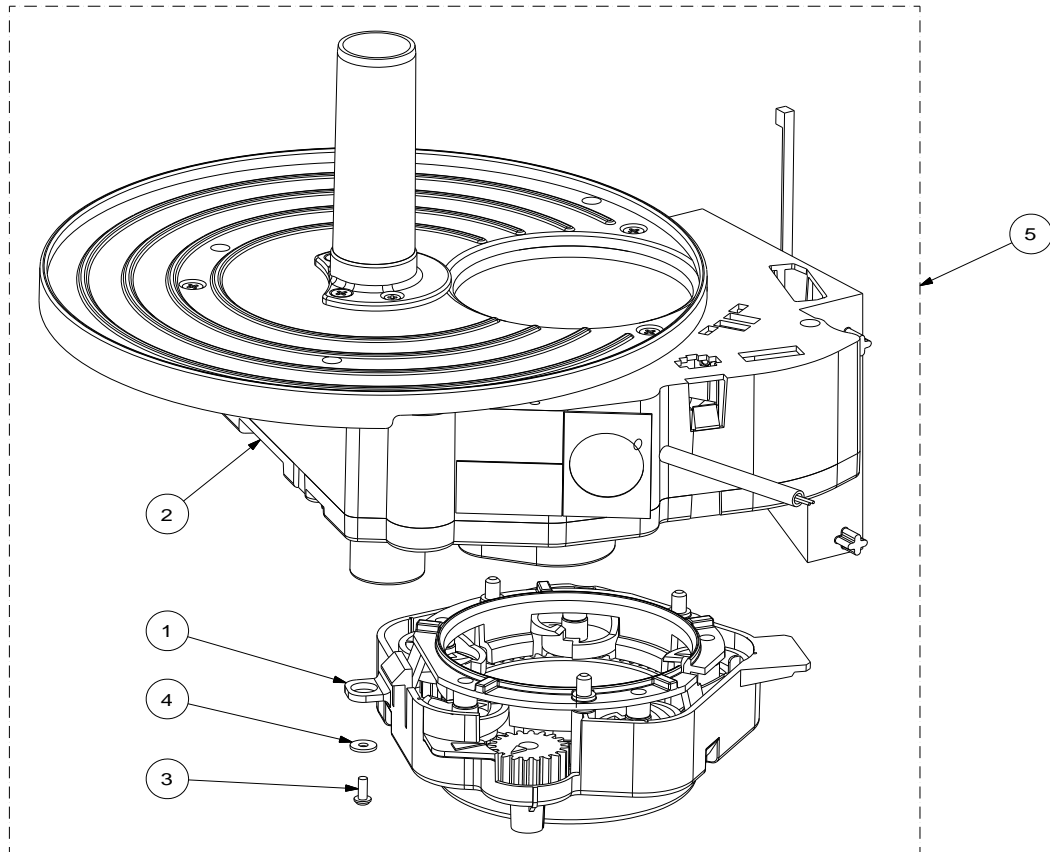
Pos.	Code	Description	Note
92	9111.381	Sheet Metal Ass. For Coin Box	Up to Matr. 900706P25827
93	9111.384	Coin Box Fixing Bracket	Up to Matr. 900706P25827
94	9111.388	Handle For Coin Case	
95	9991.093	Magnet D=9,5 X H=1,5	
96	9991.140.050	Impulscounterholder Keisu Gx-06r	
97	9991.182	Magnet For Door Sg700	
98	NE13.022	Copper Rivet D.4 With Tongue 6,3	
99	NE13.025.00P	Impulse Counter Keisu Gx-06r 24v	
100	NF11.002	Self Lock Strip W=2.5 L=98	
101	NF11.015	Expansion Rivet D=2,8x85 Alu.	
102	NF11.027	Expansion Rivet D.4x7,95 Alu.	
103	NF11.043	Clip With Hook	
104	NF11.047	Nut In Plastic	
105	NF11.048	Spacer For Cpu Card	
106	NV01.007	Adhesive Foot	
107	NV02.094	Token Lock Viro	
108	NV02.229	Lock Rielda Mod.512 + Key	
109	U005.005	Screw Te M5,0x10 Uni 5739 Galv.	
110	U019.005	Steil Screw M5,0x10 Uni 5923 Galv.	
111	U043.015	Screw Tcbc M5,0x12 Uni 7687 Galv.	
112	U043.028	Screw Tcbc M3,0x10 Uni 7687 Galv.	
113	U046.001	Screw Tefz M5,0x16 Uni 6921 Galv.	
114	U046.005	Screw Te M5,0x10 With Washer	
115	U046.006	Screw Te M6,0x10 With Washer	
116	U047.008	Capstan Screw With Frame M6x20	
117	U109.003	Screw Tcb 3,5x9,5 Din 7981 C Nick	
118	U109.004	Screw Aut.Tcb 4,8x9,5 Din 7981 C	
119	U109.023	Screw Aut.Tcb 4,2x9,5 Din 7981 C	
120	U109.037	Screw Aut.Tcb 4,8x13 Din 7981 C	
121	U110.002	Screw Aut.Tcb 3,5x13 Din 7981 F	
122	U110.003	Screw Aut.Tcb 3,5x9,5 Din 7981 F	
123	U110.004	Screw Aut.Tcb 3,5x6,5 Din 7981 F	
124	U110.005	Screw Aut.Tcb 3,9x9,5 Din 7981 F	
125	U110.010	Screw Aut.Tcb 2,9x6,5 Din 7981 F	
126	U110.011	Screw Aut.Tcb 2,9x9,5 Din 7981 F	
127	U116.005	Screw Aut.Pt Tcb 3,0x8 Wn 1441	
128	U116.006	Screw Aut.Pt Tcb 3,5x12 Wn 1441	
129	U127.011	Screw Tapt.Tcb M5,0x8 Din 7500c	
130	U143.021	Screw Special 4,8x9,5 Self Tap.	
131	U207.004	Plain Washer 4,3x16 Uni 6592 Gal	
132	U207.009	Plain Washer 5,5x15 Uni 6593 Ga	
133	U310.003	Nut Self Lock.M5 Uni 7473	
134	U310.004	Nut Self Lock.M6 Uni 7473	
135	U324.003	Nut M5 Flanged Indented Base	
136	U324.004	Nut M6 Flanged Indented Base	
137	U324.005	Nut M3 Flanged Indented Base	
138	U701.003	Snap Ring 7 Uni 7434	

Pos.	Code	Description	Note
139	U701.011	Snap Ring 5 Uni 7434	
140			
141			
142			
143			
144			
145			
146			
147			
148			
149			
150	0875.357	Ass.Fixing Plate Coin Box	By Matr. 900506P0013088
151	0875.365	Sup.Coin Box	By Matr. 900506P0013088
152	11004932	Adjustment Pin Plate Coin Box	By Matr. 900506P0013088
153	11013496	Frontal Plate Support Coin Box	By Matr. 900506P0013088
154	11013497	Left Plate Support Coin Box	By Matr. 900506P0013088
155	123160302	Nut M3 High Uni 5587 Galvanized	By Matr. 900506P0013088
156	1602.147	Bush For Door Connecting Rod	By Matr. 900506P0013088
157	1863.046	Coin Box Support	By Matr. 900506P0013088
158	11024638	Ass.Support Coin Box	By Matr. 900506P0013088
159	9111.614	Coin Box Anchoring Pin	By Matr. 900506P0013088
160	U005.015	Screw Te M5,0x30 Uni 5739 Galv.	By Matr. 900506P0013088
161	U207.003	Plain Washer 3,2x7 Uni 6592 Galv.	By Matr. 900506P0013088
162	U302.001	Nut Hexagonal M5 Uni 5588	By Matr. 900506P0013088
163			
164			
165	9111.319.270	Knob For Arm	Valid by 03-07-2009



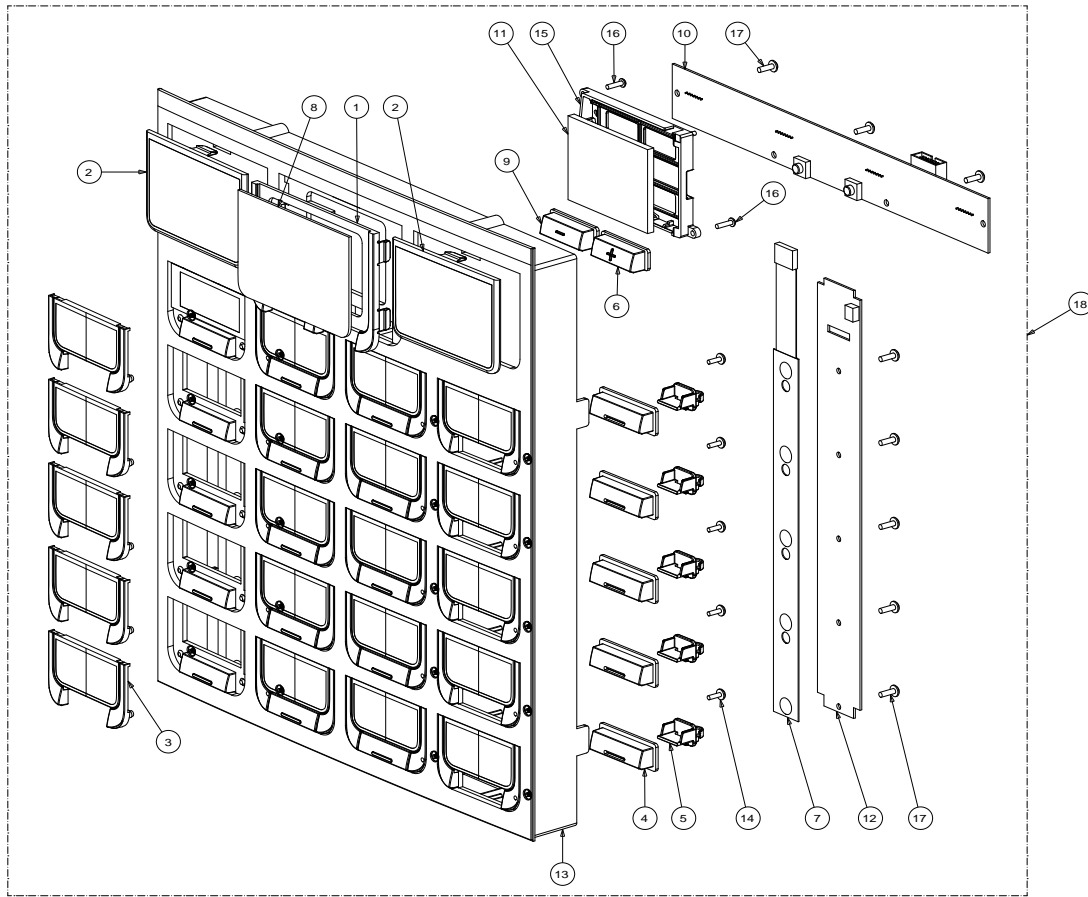
Pos. Code	Description	Note
1	11011613	Coin Chute Ass.
2	11011615	Lever Ass. Coin Recovery
3	11011616	Coin Chute
4	11011617	Coin Conveyor Adjustable
5	11011619	Support Lever Coin Recovery
6	11011660	Lever Coin Recovery
7	11011663	Slide Cover Coin
8	9111.397	Spring For Tray /Lever Coin Recove
9	129825002	Tcb Screw M4x20 Uni 7687 Znp
10	U043.007	Screw Tcbc M3,0x8 Uni 7687 Galv.
11	U046.003	Screw Tcbd Torx 20 M4x12 Zn-B
12	U116.005	Screw Aut.Pt Tcb 3,0x8 Wn 1441
13	U201.005	Plain Washer 4,3x12 Din 7349 Gal
14	U212.006	Washer 3,2x11x0,5 Znp
15	U302.002	Nut Hexagonal M3 Uni 5588
16	U302.003	Galv.Nut Hexagonal M4 Uni 5588
17	123453102	Galv.Self Lock Nut High M4 Din 982

Pos. Code	Description	Note



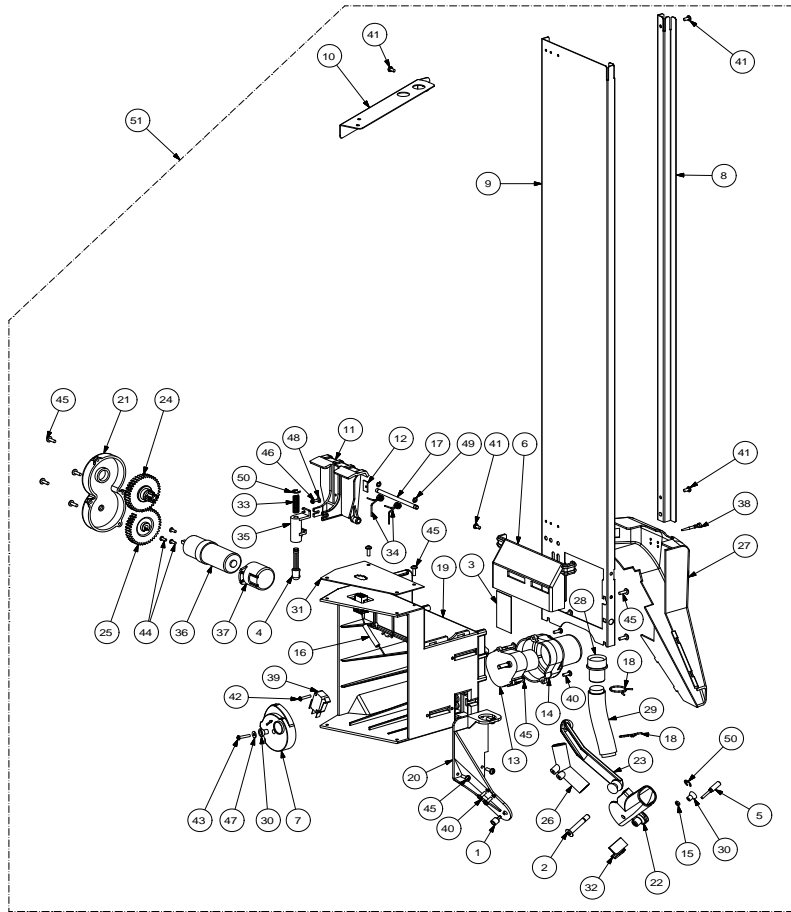
Pos. Code	Description	Note
1	11000835 Ass.Shall Support	
2	11009682 Ass.Dispenser 5 Columns	
3	U116.005 Screw Aut.Pt Tcb 3,0x8 Wn 1441	
4	U201.001 Plain Washer 3,2x9 Din 7349 Galv.	
5	11009681 Ass.Dispenser Glasses 5 Column	

Pos. Code	Description	Note

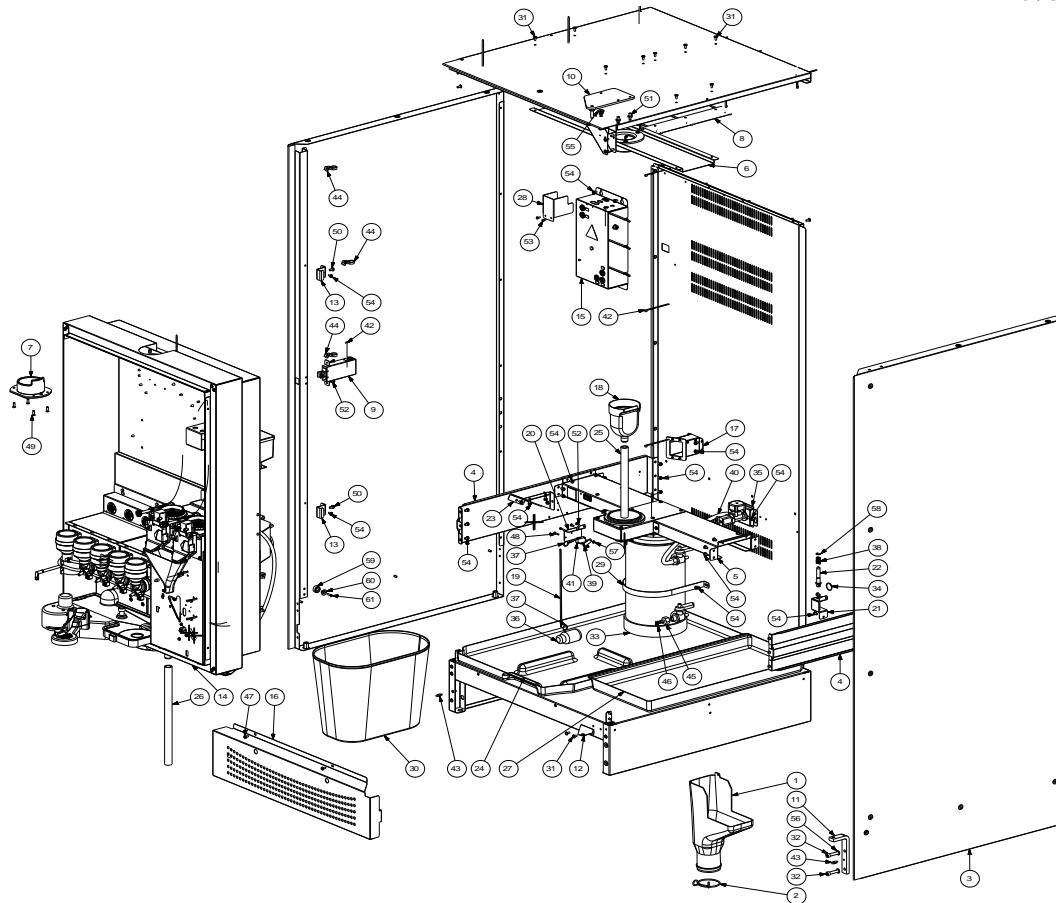


Pos. Code	Description	Note
1	11008619 Display Front Plate	
2	11008620 Publicity Front Plate	
3	11008621 Button Front Plate	
4	11008623 Push Button	
5	11008630 Push Button Actuator	
6	11008631 Display Push Button (+)	
7	11008633 Membrane Keyboard Sg650	
8	11008635 Display Glass 5p07	
9	11008746 Display Push Button (-)	
10	11008817 Interface Board For Display Sg650	
11	11011605 Electronic Board Graph Display Sg650	
12	11012251 Sg650 Led Board	
13	11013057 Touch Panel Sg650 Black	
14	129670302 Tcb Panelvit Screw 2,9x9,5 Tes.D=7,5 Znp	
15	149202400 Display Support Smart Digital	
16	U116.003 Screw Aut.Pt Tcb 3,0x12 Wn 1441	
17	U116.006 Screw Aut.Pt Tcb 3,5x12 Wn 1441	
18	11008613 Ass.Push Button Sg650	

Pos. Code	Description	Note

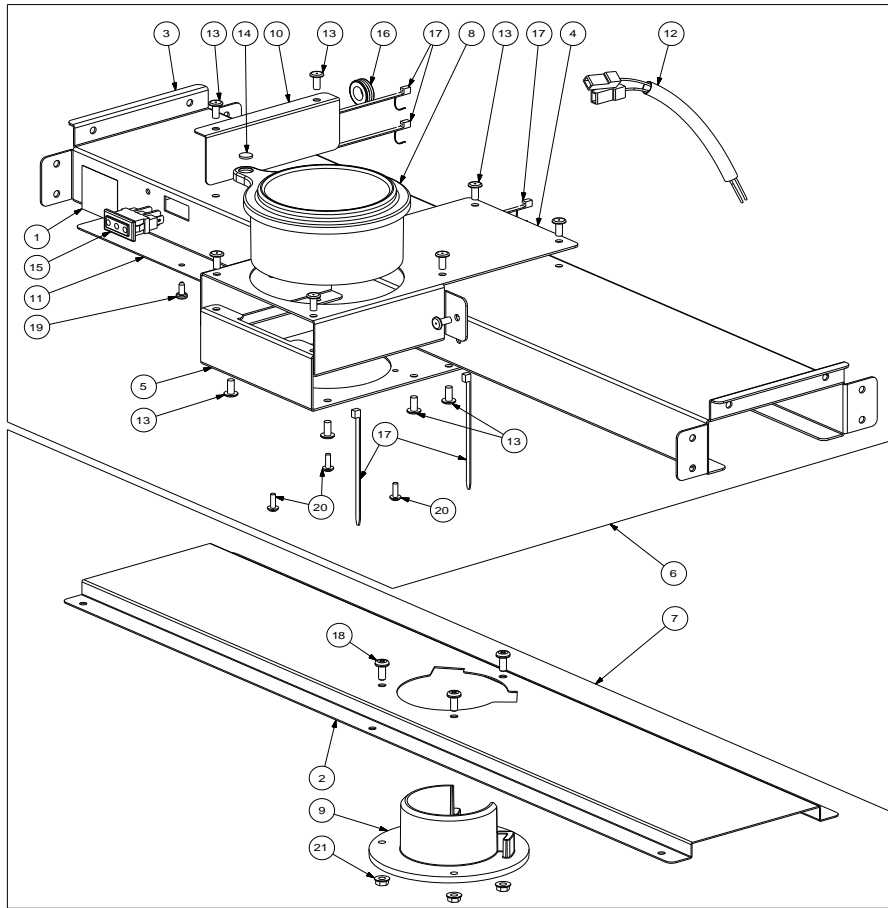


Pos.	Code	Description	Note	Pos.	Code	Description	Note
1	11000388	Knob M3 Sugar Conveyer	Only Vers. Espresso	48	U207.003	Plain Washer 3,2x7 Uni 6592 Galv.	
2	11000389	Grained Pivot Sugar Coveyer	Only Vers. Espresso	49	U701.006	Snap Ring 3,2 Uni 7434	
3	11001467	Adhesive Label Pvc 54x30 Mm		50	U701.011	Snap Ring 5 Uni 7434	
4	11002209	Pin		51	11009170	Ass.Sugar/Spoons Dispender 24vdc Sg650	Only Vers. Espresso
5	11004295	Knob For Sugar Connecting Rod Pipe	Only Vers. Espresso	51	11010382	Stirrer Dispenser Ass. Sg650 Instant	Only Vers. Instant
6	11007444	Carter					
7	11008685	Sugar Cam					
8	11009139	Stirrer Guide Sg650					
9	11009171	Stirrer Guide Adjustable 90-115 Sg650					
10	11009172	Bracket For Stirrer Guide Sg650					
11	11011240	Stirrer Expeller Black New					
12	11025089	Plate Reinforcement					
13	11025284	Motoriduttore Fiber 37rpm					
14	11025411	Cristallo Spoon's Motor Cover					
15	123160302	Nut M3 High Uni 5587 Galvanized	Only Vers. Espresso				
16	1863.611	Harness					
17	9111.376	Pin For Stirrer Expeller					
18	9111.553	Self-Energizing Spring For Tube D.2	Only Vers. Espresso				
19	9111.684.A20	Support Stirrer					
20	9111.686.A20	Support Sugar Conveyer	Only Vers. Espresso				
21	9111.687.A20	Gear Cover					
22	9111.690	Sugar Conveyer	Only Vers. Espresso				
23	9111.691	Connecting Rod Sugar Dispencer	Only Vers. Espresso				
24	9111.694	Joint With Gear	Only Vers. Espresso				
25	9111.695	Gear Z40	Only Vers. Espresso				
26	9111.697	Connector Sugar Tube	Only Vers. Espresso				
27	9111.698.A20	Stirrer Slide					
28	9111.699	Aperture Sugar Tube	Only Vers. Espresso				
29	9111.700	Sugar Tube	Only Vers. Espresso				
30	9111.705	Spherical Pin	Only Vers. Espresso				
31	9111.707	Reinforcing Plate					
32	9111.727	Bulkhead Sugar Conveyer	Only Vers. Espresso				
33	9111.729	Spring					
34	9111.730	Spring					
35	9111.737	Support					
36	9121.106.00P	Sugar Ratiomotor 24v Dc	Only Vers. Espresso				
37	9121.155	Hood For Ratiomotor					
38	9161.082	Rubber Coupler					
39	NE05.002	Microswitch					
40	U110.003	Screw Aut.Tcb 3,5x9,5 Din 7981 F	Only Vers. Espresso				
41	U110.004	Screw Aut.Tcb 3,5x6,5 Din 7981 F					
42	U110.007	Screw Aut.Tcb 2,9x16 Din 7981 F Znp					
43	U116.004	Screw Aut.Pt Tcb 3,0x16 Wn 1441	Only Vers. Espresso				
44	U116.005	Screw Aut.Pt Tcb 3,0x8 Wn 1441	Only Vers. Espresso				
45	U116.006	Screw Aut.Pt Tcb 3,5x12 Wn 1441					
46	U117.003	Screw Aut.Pt Tcb 2,5x10 Wn 1442					
47	U201.001	Plain Washer 3,2x9 Din 7349 Galv.	Only Vers. Espresso				

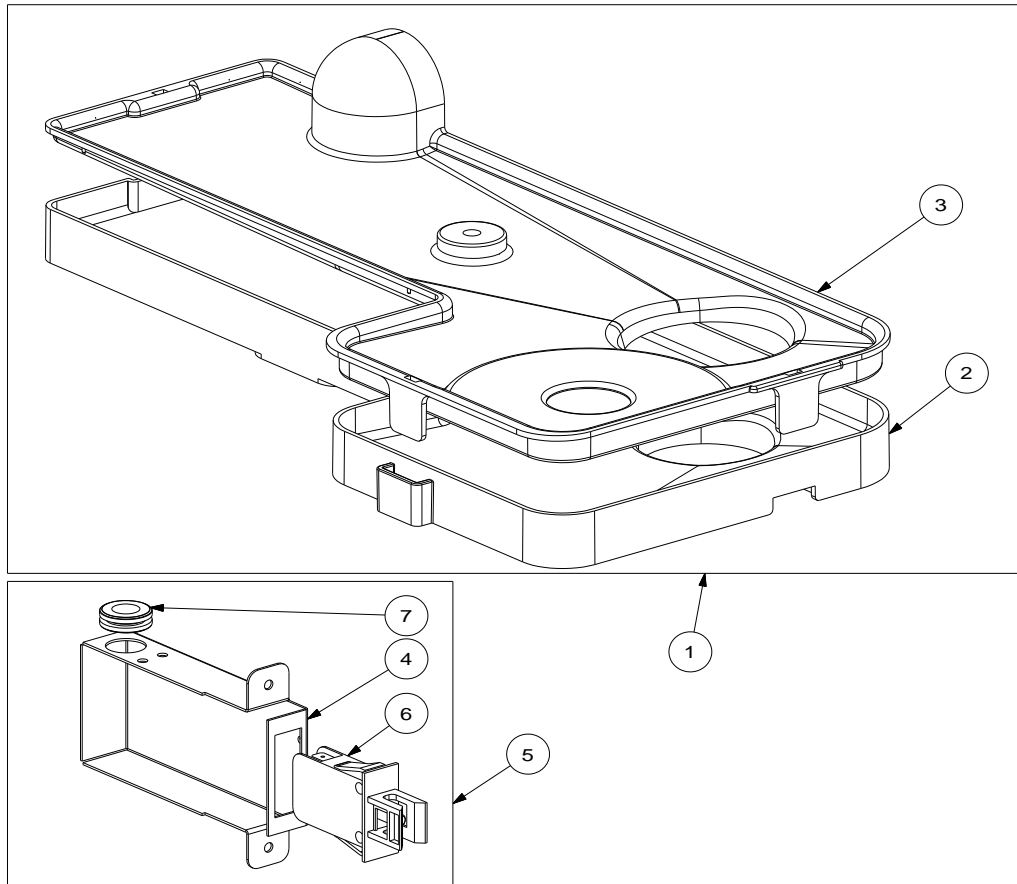


Pos. Code	Description	Note
1	0862.111.050	Grounds Duct
2	0862.112	Grounds Sack Ring 8p
3	11007638	Ass.Casing To Rivet Sg650
4	11007662	Cross Beam Ass. R/L Sides Sg650
5	11008254	Lower Cross Ass.
6	11008255	Upper Cross Ass.
7	11008268	Upper Pin Of Rotation
8	11008285	Harness Support
9	11008480	Ass.Interblock
10	11008614	Ass.Upper Hinge Pivot
11	11008668	Lower Hinge Sg650
12	11008669	Lower Hinge Plate Sg650
13	11008671	Rod Lock Hookup
14	11008674	Revolving Plate Ass. Sg650
14	11010056	Revolving Plate Ass. Sg650
14	11010381	Revolving Plate Ass. Sg650 Instant
15	11008831	Whole Transformer
16	11008859	Skirting Band Assembly Sg650
17	11009123	Ass.Channel Fan Aspiration
18	11009607	Tube Conveyor Liquids Discharge Central
19	11009608	Chain For Afloat L.280mm Sg650
20	11009609	Support For Afloat Micro
21	11009671	Pin Support Fixing 90°
22	11009672	Pin Fixing Revolving Plate
23	11009675	Omega Fixing For Revolving Plate
24	11009677	Bottom Tub Left Sg650
25	11014050	Flexible Tube D.21 L.250mm
26	11013949	Flexible Tube D.21 L.350mm
27	11009852	Bottom Tub Right Sg650
28	11009894	Safety Plate For Connector
29	11011627	Band For Purifier Fixing Sg650
30	12000031	Bucket Utiliplastic 18262 Kouros 1 Black
31	12000962	Multigrip Rivets 4.8x11 Tt Cod. 28925
32	12001174	Screw Tcej M8x35 Uni 5931 Zn
33	1414.001	Water Softener 8 L
34	1431.003	Keyholder Ring
35	9110.136.00P	Ass.Electrovalve Inlet Water 24v
36	9111.130	Float For Discharge Level
37	9111.148	Elastic Ring For Float
38	9111.355	Spring For Change Button
39	9111.407	Micro Plate
40	9972.142	Silicone Tube 8x12 L. 400 Mm
41	NE05.041	Microswitch
42	NF11.002	Self Lock Strip W=2.5 L=98
43	NF11.041	Pin For Skirting
44	NF11.043	Clip With Hook
45	NR07.059	Std Toothed Connector F3/8x09

Pos. Code	Description	Note
46	NV99.072	Hose Clamp D. 11.6/12.3
47	U043.008	Screw Tcbc M5,0x10 Uni 7687 Galv.
48	U043.023	Screw Tcbc M3,0x18 Uni 7687 Galv.
49	U044.011	Screw Tspc M5,0x16 Uni 7688 Galv.
50	U046.005	Screw Te M5,0x10 With Washer
51	U046.006	Screw Te M6,0x10 With Washer
52	U109.011	Screw Aut.Tcb 3,9x9,5 Din 7981 C
53	U110.003	Screw Aut.Tcb 3,5x9,5 Din 7981 F
54	U127.011	Screw Tapt.Tcb M5,0x8 Din 7500c
55	U207.013	Plain Washer 6.5x18 Uni 6592 Galv
56	U208.009	Toothed Washer 8,4x15 Uni 3703
57	U324.005	Nut M3 Flanged Indented Base
58	U701.003	Snap Ring 7 Uni 7434
59	11003474	Fs400 Door Wheel
60	11006477	Fs400 Door Pivot For Wheel
61	12000780	Screw Tspc M4,0x20 Uni 7688 Galv.



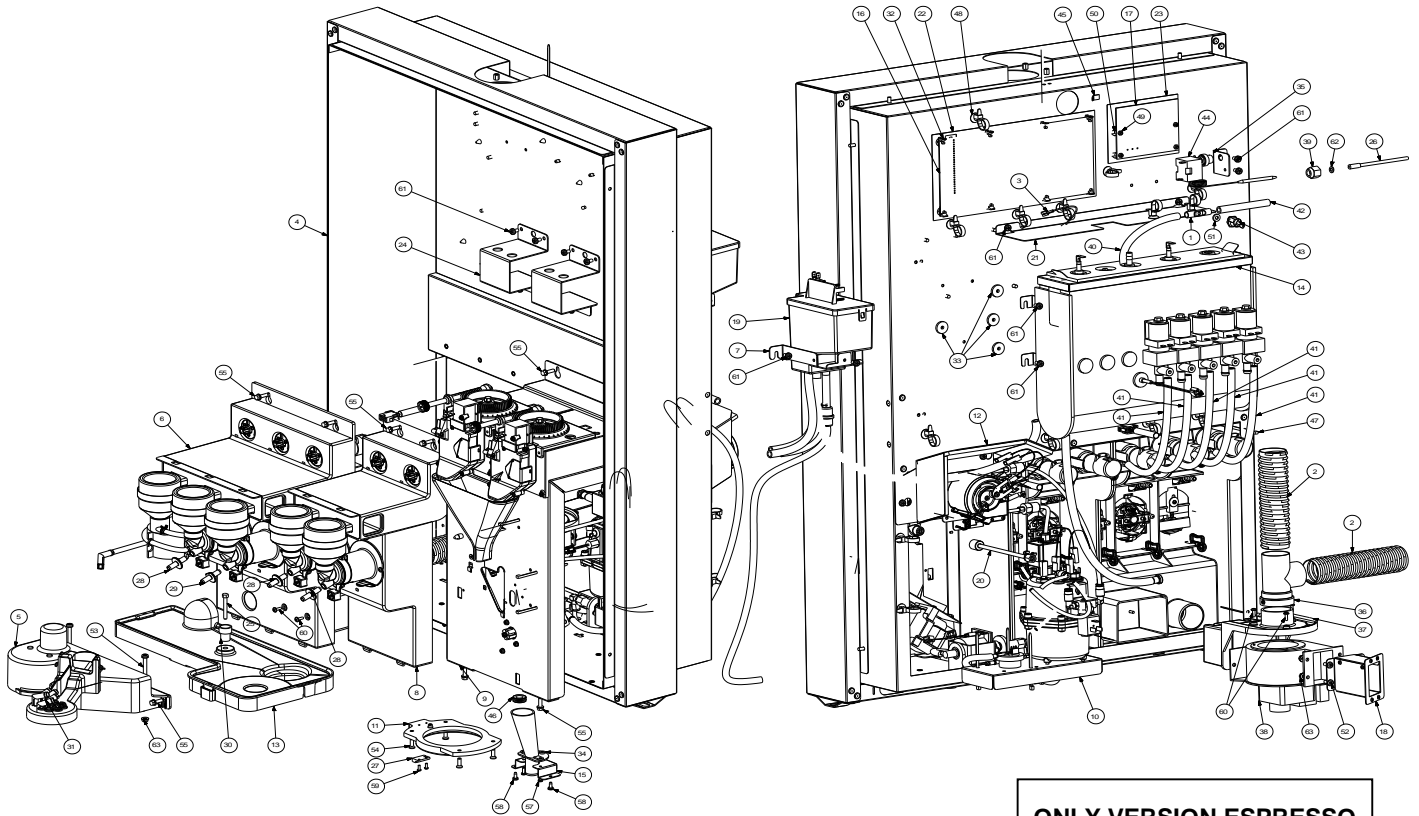
Pos. Code	Description	Note	Pos. Code	Description	Note
1	0875.983	Adhesive Label			
2	11007667	Roof Cross Beam X Plate Revolving Sq650			
3	11007669	Omega Central Support Plate Revolving			
4	11008252	Center Support Rotation			
5	11008253	Plate For Support			
6	11008254	Lower Cross Ass.			
7	11008255	Upper Cross Ass.			
8	11008260	Lower Bush Of Rotation			
9	11008267	Flangia Superiore Di Rotazione			
10	11008476	Cover Reinforce			
11	11008477	Cover			
12	11009794	Harness Service Socket			
13	12000962	Multigrip Rivets 4.8x11 Tt Cod. 28925			
14	9991.093	Magnet D=9,5 X H=1,5			
15	NE13.046	Socket 2 Pole + Earth 08168600w			
16	NE16.002	Grommet D.11x20,5xh.7			
17	NF11.002	Self Lock Strip W=2,5 L=98			
18	U043.015	Screw Tcbc M5,0x12 Uni 7687 Galv.			
19	U109.011	Screw Aut.Tcb 3,9x9,5 Din 7981 C			
20	U116.006	Screw Aut.Pt Tcb 3,5x12 Wn 1441			
21	U324.003	Nut M5 Flanged Indented Base			



Pos. Code	Description	Note
1	11008270 Case Of Condense	
2	11008272 Case Of Condense	
3	11008274 Boiler Case	
4	11008473 Box	
5	11008480 Ass.Interblock	
6	NE05.039 Bipolar Microswitch	
7	NE16.002 Grommet D.11x20,5xh.7	

Pos. Code	Description	Note

TABLE 14 / 35

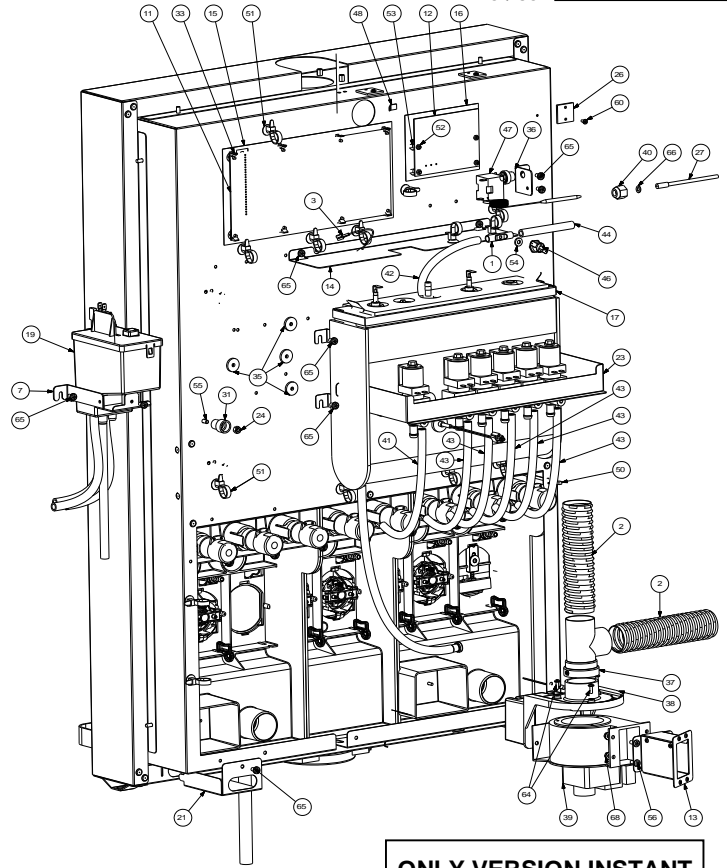
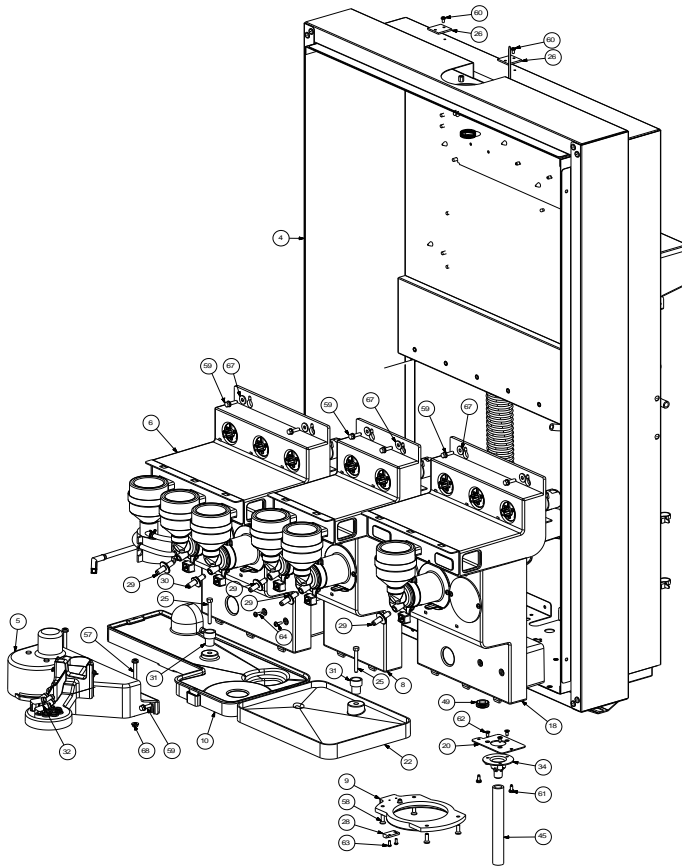


ONLY VERSION ESPRESSO

Pos.	Code	Description	Note
1	0871.164	Tube For Thermostat	
2	0894.009	Spiral Tube D.32 L=760 Mm	
3	0894.617	Connection Earth	
4	11007657	Revolving Plate Ass. Black Sg650	
5	11008186	Arm Support Ass.	
6	11008243	Ass. Module 3 Motor	
7	11008247	Air Break Support	
8	11008258	Ass. Module 2 Motor	
9	11008263	Ass. Module Coffee 1 Grind	Only Vers. 2 Macine
9	11008261	Ass. Module 1 Grind	Only Vers. 1 Macina
10	11008264	Ass. Boiler Support 600cc	
11	11008265	Lower Flange Of Rotation	
12	11008266	Ass.Steam Boiler	
13	11008270	Case Of Condense	
14	11008276	Ass.Boiler 230v	
15	11008475	Dumping Support	
16	11008856	Sg650 Power Board	
17	11008857	Sg650 Triac Board	
18	11009123	Ass.Channel Fan Aspiration	
19	11009786	Ass. Air/Break Assemble Sg650	
20	11025406	Tube Assembly Teflon 3x6 L.250mm	
21	11009895	Separator Boiler Sg650	
22	11009896	Card Protection Sg650	
23	11009897	Card Protection Boiler Sg650	
24	11009909	Support Coffee Container Sg650	
25	129724305	Te Screw M5x40 Uni 5739 Znp	
26	1812.070	Rubber	
27	1863.649	Reed For Door	
28	9111.232.060	Std Tube Holder Sleeve	
29	9111.233.060	Decaff.Tube Holder Sleeve	
30	9111.307.270	Stirrer Plate Knob 8p	
31	9111.349	Elbow Dispensing Nozzle	
32	9111.402	Spacer For Card	
33	9111.501	Insulation Washer	
34	9111.527.050	Tube Conveyor Coffee Discharge	
35	9111.598	Support	
36	9111.640.060	Tube Connector	
37	9111.732.A20	Support	
38	9121.198.00A	Centrifugal Fan Cap 07	
39	9181.135	Nut 1/4 Tube D.8 Profi	
40	9972.141	Silicone Tube 7x11 L.160 Mm	
41	9972.177	Silicone Tube 7x11 L.440 Mm	
42	9972.226	Silicone Tube 7x11 L.90 Mm	
43	NE09.029	Unipolar Thermostat Manual Reset	
44	NE09.035	Limiter Ty95h	
45	NE13.022	Copper Rivet D.4 With Tongue 6,3	
46	NE16.002	Grommet D.11x20,5xh.7	

Pos.	Code	Description	Note
47	NF11.002	Self Lock Strip W=2.5 L=98	
48	NF11.043	Clip With Hook	
49	NF11.047	Nut In Plastic	
50	NF11.048	Spacer For Cpu Card	
51	NV99.071	Plain Washer 5,5x12 In Copper	
52	U043.015	Screw Tcbc M5,0x12 Uni 7687 Galv.	
53	U043.031	Screw Tcbc M5,0x40 Uni 7687 Galv.	
54	U044.011	Screw Tspc M5,0x16 Uni 7688 Galv.	
55	U046.001	Screw Tefz M5,0x16 Uni 6921 Galv.	
56	U046.003	Screw Tcbd Torx 20 M4x12 Zn-B	
57	U110.003	Screw Aut.Tcb 3,5x9,5 Din 7981 F	
58	U110.005	Screw Aut.Tcb 3,9x9,5 Din 7981 F	
59	U116.005	Screw Aut.Pi Tcb 3,0x8 Wn 1441	
60	U116.006	Screw Aut.Pi Tcb 3,5x12 Wn 1441	
61	U127.011	Screw Tapt.Tcb M5,0x8 Din 7500c	
62	U207.005	Plain Washer 6,4x11 Uni 6592 Gal	
63	U324.003	Nut M5 Flanged Indented Base	

TABLE 15 / 35

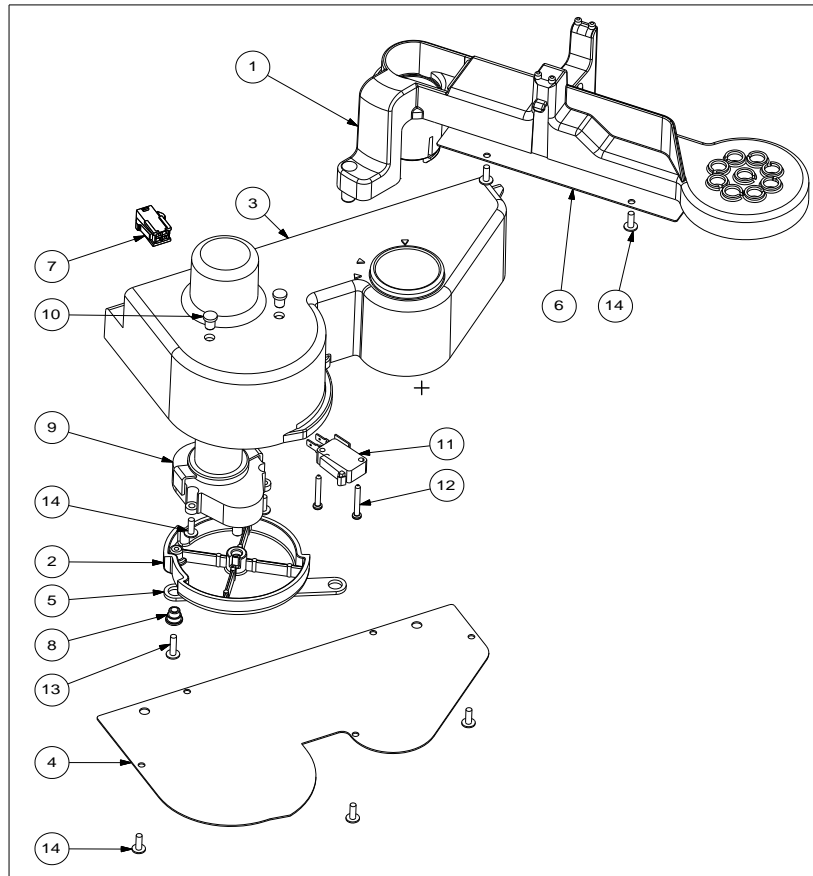


ONLY VERSION INSTANT

Pos.	Code	Description	Note
1	0871.164	Tube For Thermostat	
2	0894.009	Spiral Tube D.32 L=760 Mm	
3	0894.617	Connection Earth	
4	11007657	Revolving Plate Ass. Black Sg650	
5	11008186	Arm Support Ass.	
6	11008243	Ass. Module 3 Motor	
7	11008247	Air Break Support	
8	11008258	Ass. Module 2 Motor	
9	11008265	Lower Flange Of Rotation	
10	11008270	Case Of Condense	
11	11008856	Sg650 Power Board	
12	11008857	Sg650 Triac Board	
13	11009123	Ass.Channel Fan Aspiration	
14	11009895	Separator Boiler Sg650	
15	11009896	Card Protection Sg650	
16	11009897	Card Protection Boiler Sg650	
17	11010384	Ass.Boiler 230v Sg650 Instant	
18	11010385	Mixer Module Ass. Sg650 Instant	
19	11010386	Ass. Air/Break Assemble Sg650 Instant	
20	11010728	Funnel Support	
21	11010729	Tube Support Sg650	
22	11010750	Mixer Tray Sg650	
23	11012505	Omega Fixing For Solubles Electrovalve	
24	123160502	Nut M5 High Uni 5587-68 Galvanized	
25	129724305	Te Screw M5x40 Uni 5739 Znp	
26	148601300	Wire Clamp	
27	1812.070	Rubber	
28	1863.649	Reed For Door	
29	9111.232.060	Std Tube Holder Sleeve	
30	9111.233.060	Decaff.Tube Holder Sleeve	
31	9111.307.270	Stirrer Plate Knob 8p	
32	9111.349	Elbow Dispensing Nozzle	
33	9111.402	Spacer For Card	
34	9111.446.050	Funnel For Mixer Tray	
35	9111.501	Insulation Washer	
36	9111.598	Support	
37	9111.640.060	Tube Connector	
38	9111.732.A20	Support	
39	9121.198.00A	Centrifugal Fan Cap 07	
40	9181.135	Nut 1/4 Tube D.8 Profi	
41	9972.130	Silicone Tube 7x11 L.470 Mm	
42	9972.141	Silicone Tube 7x11 L.160 Mm	
43	9972.177	Silicone Tube 7x11 L.440 Mm	
44	9972.226	Silicone Tube 7x11 L.90 Mm	
45	11021498	Flexible Tube D.11,5-14,5 L.360mm	
46	NE09.029	Unipolar Thermostat Manual Reset	
47	NE09.035	Limiter Ty95h	

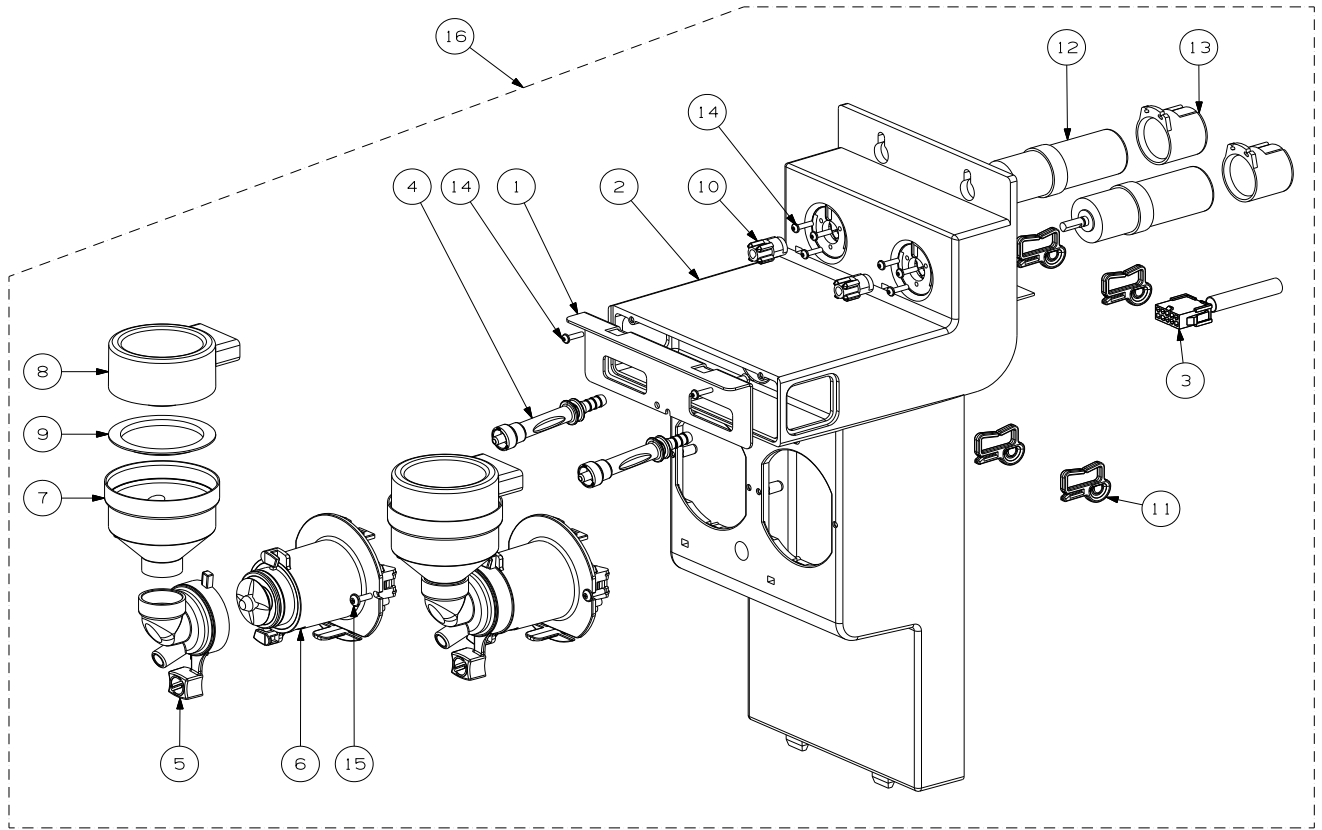
Pos.	Code	Description	Note
48	NE13.022	Copper Rivet D.4 With Tongue 6,3	
49	NE16.002	Grommet D.11x20,5xh.7	
50	NF11.002	Self Lock Strip W=2.5 L=98	
51	NF11.043	Clip With Hook	
52	NF11.047	Nut In Plastic	
53	NF11.048	Spacer For Cpu Card	
54	NV99.071	Plain Washer 5,5x12 In Copper	
55	U005.005	Screw Te M5,0x10 Uni 5739 Galv.	
56	U043.015	Screw Tcbc M5,0x12 Uni 7687 Galv.	
57	U043.031	Screw Tcbc M5,0x40 Uni 7687 Galv.	
58	U044.011	Screw Tspc M5,0x16 Uni 7688 Galv.	
59	U046.001	Screw Tefz M5,0x16 Uni 6921 Galv.	
60	U110.004	Screw Aut.Tcb 3,5x6,5 Din 7981 F	
61	U110.005	Screw Aut.Tcb 3,9x9,5 Din 7981 F	
62	U111.005	Screw Aut.Tsp 3,9x9,5 Din 7982 C	
63	U116.005	Screw Aut.Pt Tcb 3,0x8 Wn 1441	
64	U116.006	Screw Aut.Pt Tcb 3,5x12 Wn 1441	
65	U127.011	Screw Tapt.Tcb M5,0x8 Din 7500c	
66	U207.005	Plain Washer 6,4x11 Uni 6592 Gal	
67	U207.009	Plain Washer 5,5x15 Uni 6593 Ga	
68	U324.003	Nut M5 Flanged Indented Base	

TABLE 16 / 35



Pos. Code	Description	Note
1	11008187 Nozzle Arm	
2	11008188 Cam Arm	
3	11008189 Support Arm	
4	11008240 Support Arm Plate	
5	11008241 Connecting Rod Arm	
6	11008242 Support Arm Plate	
7	11009584 Nozzle Harness Sq650	
8	9111.204 Bush For Spring Compensate Stirrer	
9	11025284 Motoriduttore Fiber 37rpm	
10	9161.305.150 Grey 8gr.Brew Unit Integral Piston Plug	
11	NE05.002 Microswitch	
12	U110.012 Screw Aut.Tcb 3x25 Din 7981 F	
13	U116.002 Screw Aut.Pt Tcb 3,5x16 Wn 1441	
14	U116.006 Screw Aut.Pt Tcb 3,5x12 Wn 1441	
15	11008186 Arm Support Ass.	

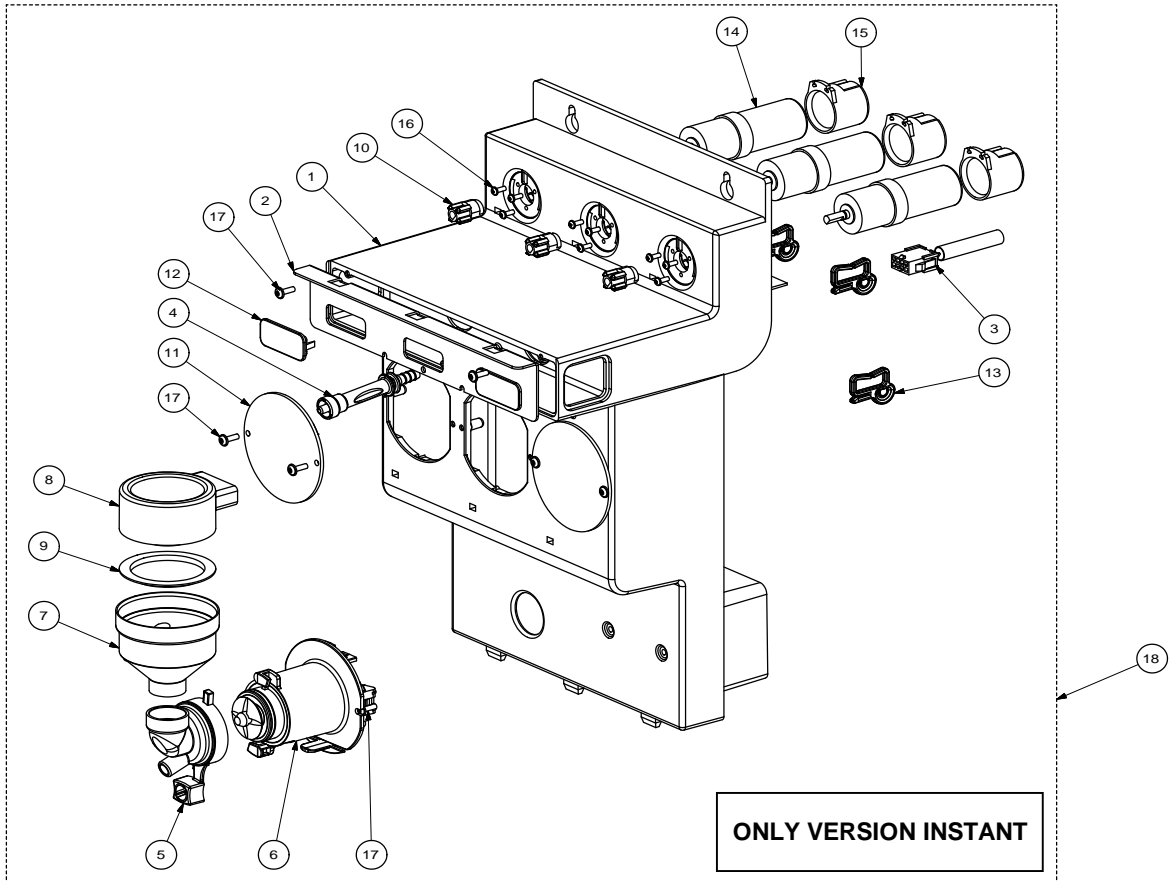
Pos. Code	Description	Note



Pos.	Code	Description	Note
1	11008246	Aspiration Steel Sheet At 3	
2	11008259	Module 2 Motor	
3	11009585	Harness 2 Mixer Sg650	
4	11011394	Nozzle Ass. Espresso D.3	
5	9110.027.060	Mix Casing Ass.	
6	9110.160.06P	Ass.Mixer '05 24v Dc	
7	9111.009.060	Funnel For Powders Brown	
8	9111.010.060	Lid For Funnel Brown	
9	9111.011.060	Seal For Funnel Brown	
10	9111.131	Coupling For Solubles Motor	
11	9111.718	Clip	
12	9121.106.00P	Sugar Ratiomotor 24v Dc	
13	9121.155	Hood For Ratiomotor	
14	U116.003	Screw Aut.Pt Tcb 3,0x12 Wn 1441	
15	U116.006	Screw Aut.Pt Tcb 3,5x12 Wn 1441	
16	11008258	Ass. Module 2 Motor	

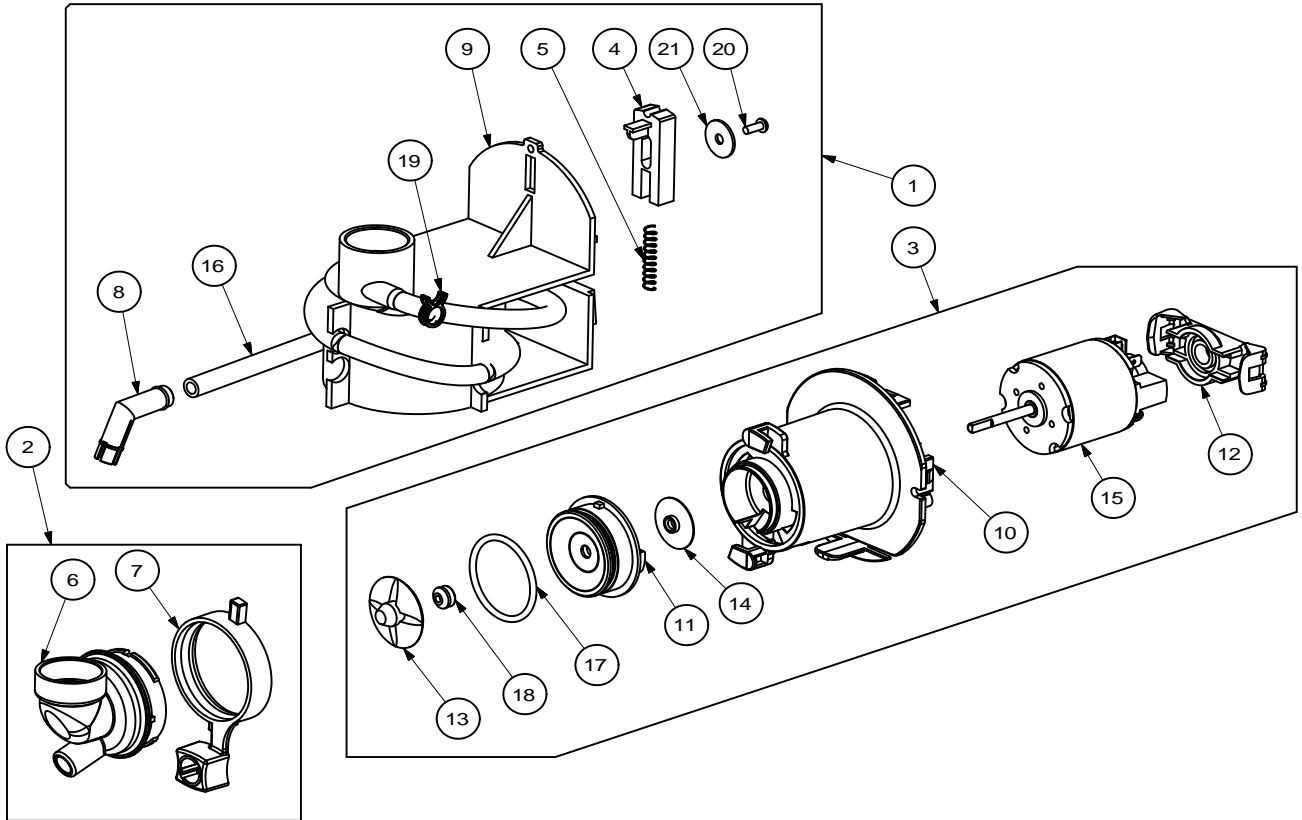
Pos.	Code	Description	Note

TABLE 19 / 35



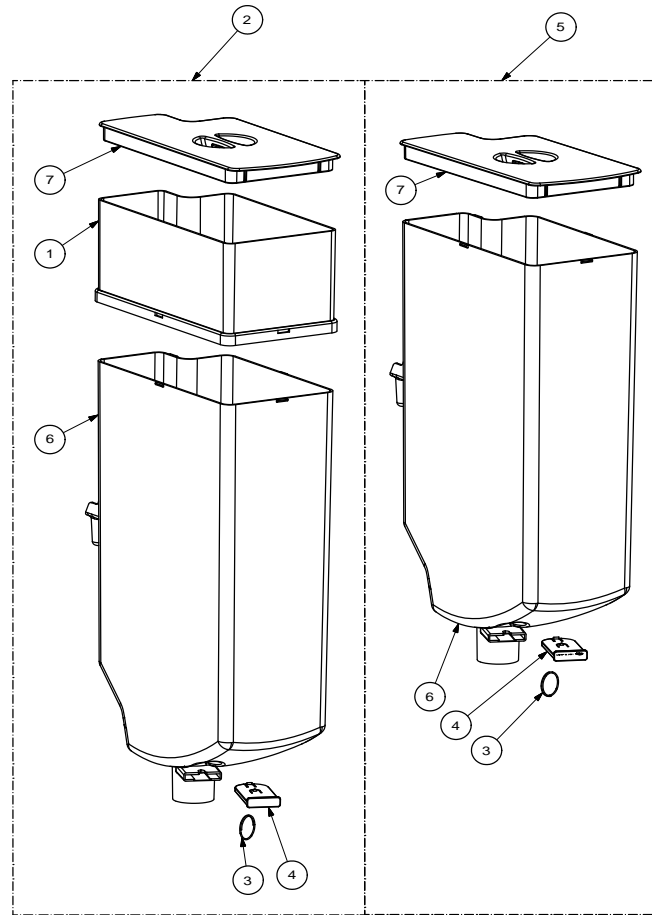
Pos. Code	Description	Note
1	11008244 Module 3 Motor	
2	11008245 Aspiration Steel Sheet At 3	
3	11010752 Harness Mixer Sg650 Instant	
4	11011394 Nozzle Ass. Espresso D.3	
5	9110.027.060 Mix Casing Ass.	
6	9110.160.06P Ass.Mixer '05 24v Dc	
7	9111.009.060 Funnel For Powders Brown	
8	9111.010.060 Lid For Funnel Brown	
9	9111.011.060 Seal For Funnel Brown	
10	9111.131 Coupling For Solubles Motor	
11	9111.405.060 Mixer Hole Cap Brown	
12	9111.481.060 Column Cap	
13	9111.718 Clip	
14	9121.106.00P Sugar Ratiomotor 24v Dc	
15	9121.155 Hood For Ratiomotor	
16	U116.005 Screw Aut.Pt Tcb 3,0x8 Wn 1441	
17	U116.006 Screw Aut.Pt Tcb 3,5x12 Wn 1441	
18	11010385 Mixer Module Ass. Sg650 Instant	

Pos. Code	Description	Note



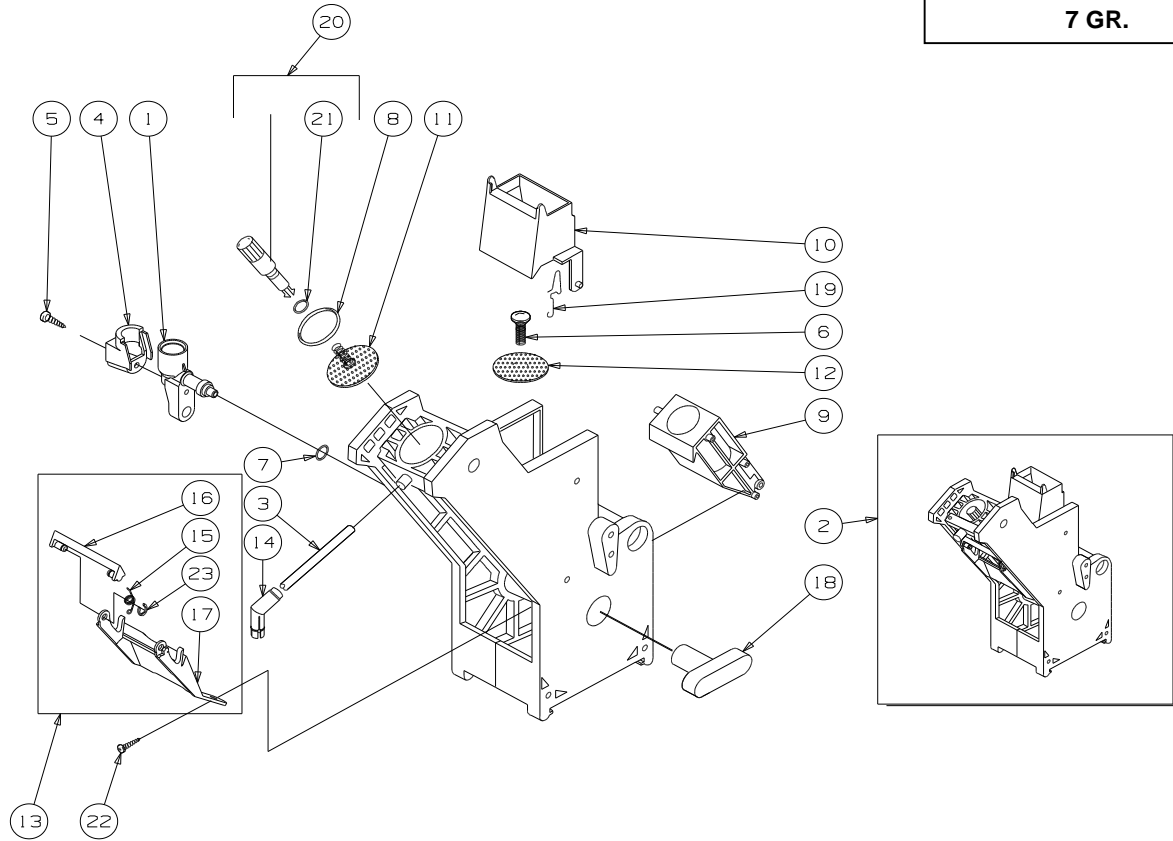
Pos. Code	Description	Note
1	1863.A10 Ass.Mixer Fs400	
2	9110.027.060 Mix Casing Ass.	
3	9110.160.06P Ass.Mixer '05 24v Dc	
4	9111.209.060 Cursor For Spiral Mixer Fixing	
5	9111.211 Spring For Mixer Cursor	
6	9111.227.060 Mixer Casing	
7	9111.230.270 Mixer Locking Ring Nut Orange Ral	
8	9111.349 Elbow Dispensing Nozzle	
9	9111.643.060 Rapid Fixing Mixer	
10	9111.769.150 Mixer Flange	
11	9111.770.060 Cover Mixer Flange	
12	9111.771.270 Motor Coupling Orange Ral	
13	9111.772.060 Disk Fan	
14	9111.773.060 Motor Protection Ring	
15	9121.248.00P Mixer Motor '05 24v Dc	
16	9972.337 Silicone Tube 7x11 L.1070mm	
17	NM03.012 Or Orm 0320-25 Nbr	
18	NM05.015 V-Ring Mixer '05	
19	NV99.072 Hose Clamp D. 11.6/12.3	
20	U116.005 Screw Aut.Pt Tcb 3,0x8 Wn 1441	
21	U207.004 Plain Washer 4,3x16 Uni 6592 Gal	

Pos. Code	Description	Note



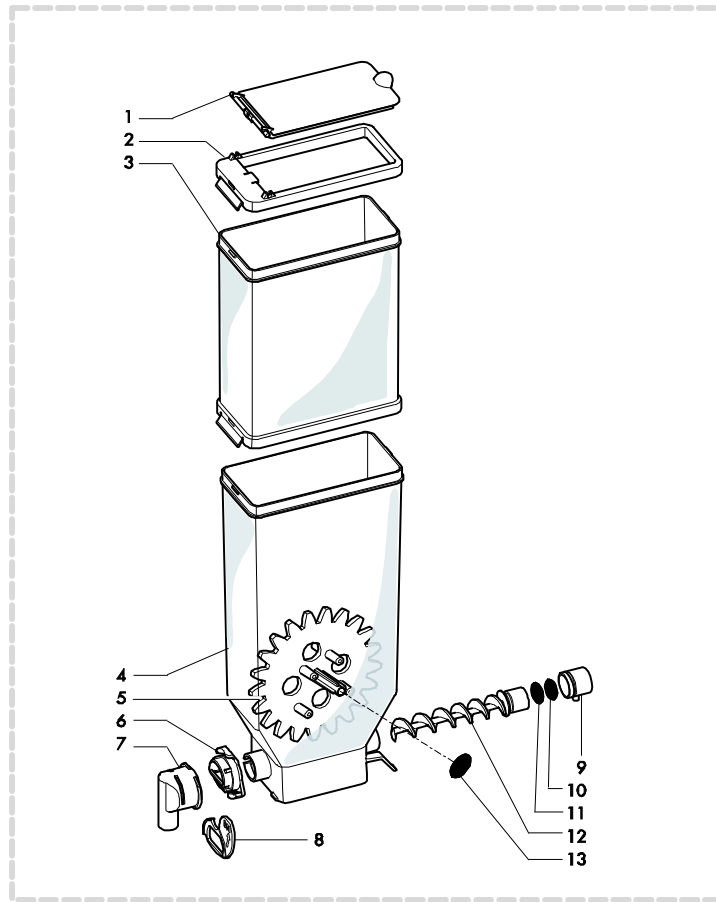
Pos. Code	Description	Note
1	11001581 Extension Tank Coffee	
2	11006485 Coffee Tank Assembly With Extension	
3	1431.003 Keyholder Ring	
4	1813.027.A20 Shutter For Coffee Container	
5	9110.139 Coffee Cont. Ass.	
6	9111.724 Container For Coffee Bean	
7	9111.728 Cover For Coffee Container	

Pos. Code	Description	Note



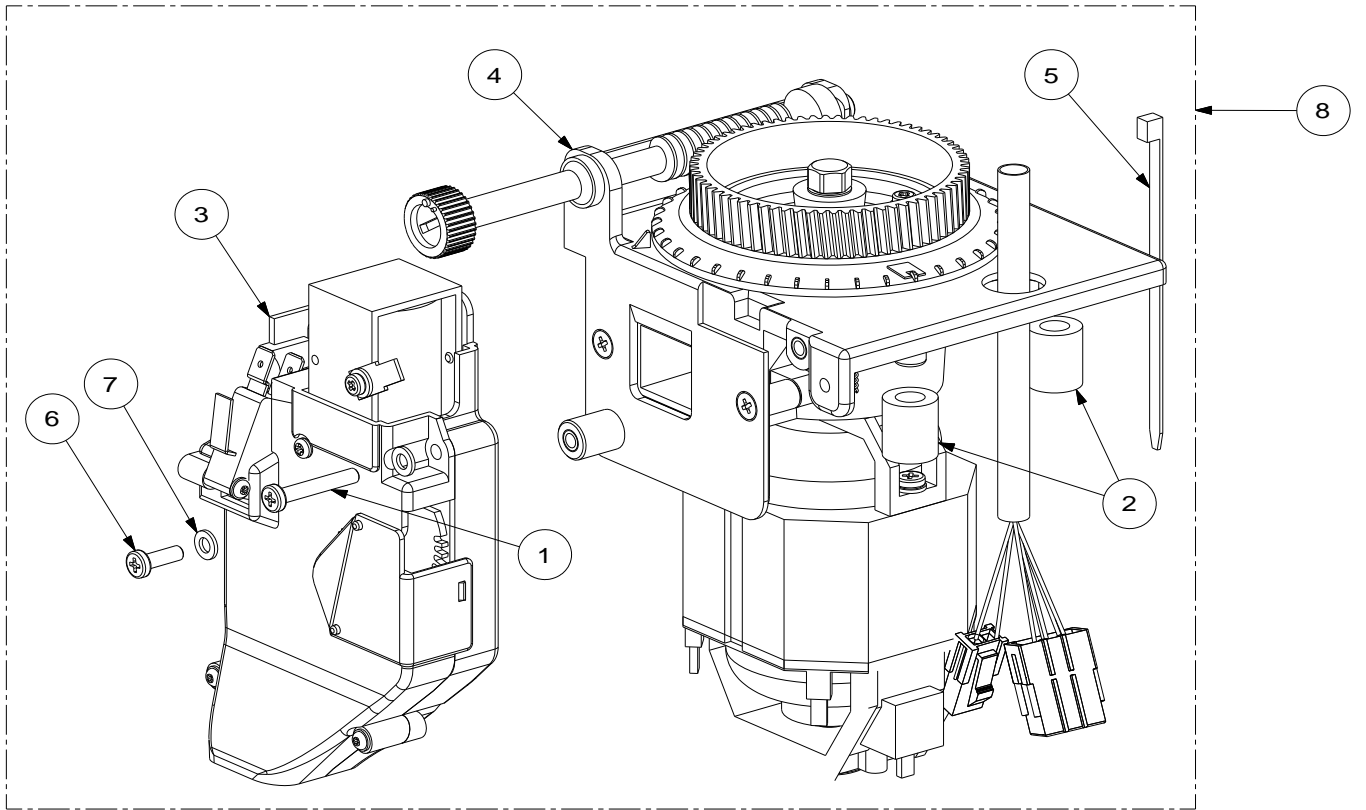
Pos. Code	Description	Note
1	11005371 Unit Coffee Muff	
2	11023330 Brew Unit 7 Grams Cristal600	
3	11009790 Silicone Tube Brown 5x8 L 430mm	
4	11010013 Carter For Muff Preheating Unit	
5	129512921 Screw Tcb Torx 10 Ab 2,9x13 Sheet Ss	
6	129851921 Tsp Screw M3x6 Uni 7688 Ss	
7	140321462 Or 2018 In Silicone	
8	140322061 Or 4112 In Epdm	
9	222711101 Brown Ground Coff.Container D=36 Assy.	
10	322001201 Mobile Scraper Brown Narrow	
11	324000100 Ss Percolator D=34 Screw For Unit	
12	11012630 Percolator D.34	
13	9110.067.060 Scraper Ass.For Cappuccinat. Tube	
14	9111.349 Elbow Dispensing Nozzle	
15	9111.520 Spring For Scraper Section 0.6	
16	9111.537.060 Brown Scraper Coffee Group	
17	9111.539.060 Fork For Scraper	
18	9161.021.060 Key For Brew Unit Brown	
19	9161.425 Spring For Scraper	
20	9169.A14.060 Pin For Percolator Brown	
21	NM02.006 Or R5 Termoil	
22	U110.013 Screw Aut.Tcb 3,9x6,5 Din 7981 F	
23	U701.006 Snap Ring 3,2 Uni 7434	

Pos. Code	Description	Note



Pos. Code	Description	Note
1	9111.683 Soluble Cover	
2	9111.696 Cover Sugar Container	
3	11004610 Extension For Container Sugar	
4	9111.685 Sugar Container	
5	9111.725 Container Wheel Sugar	
6	9111.630.060 Bush For Powders Tank	
7	9111.629.060 Aperture For Solubles Hopper	
8	9111.338.270 Bulkhead For Apert. Closure Orange	
9	11005457 Rear Bush New	Up toMatr: 900706P25827
9	11012130 Back Bush Reinforce	By Matr. 900506P0013088
10	140328461 Epdm Or Metric 0190-10	Up toMatr: 900706P25827
11	NM03.013 Or 2,3x15 Nbr	
12	9111.726 Scroll Screw Sugar Container	
13	9111.646 Adhesive For Tank	
14	11005129 Assembly Sugar Container	

Pos. Code	Description	Note



Pos. Code	Description	Note
1	129825502 Tcb Screw M4x25 Uni 7687 Znp	
2	1813.046.050 Rubber Grind Support	
3	1813.A10.A2A Doser Ass. 6-11 Gr. 220v	
3	11026301 Doser Ass. 6-11 Gr.	2 M
4	1863.A18.A2A Grind Coffee Fs400 Ass.	
5	NF11.002 Self Lock Strip W=2.5 L=98	
6	U043.011 Screw Tcbc M4,0x12 Uni 7687 Galv.	
7	U205.004 Curved Washer 4,3x8 Uni 8840a B	
8	1863.A17.A2A Coffee Grind+Dispenser Lx 230v	
8	11026854 Grind Coffee+Dispenser Fs400 Ass.	2 M

Pos. Code	Description	Note

